



Telescopic covers – inquiry form / order

Description:

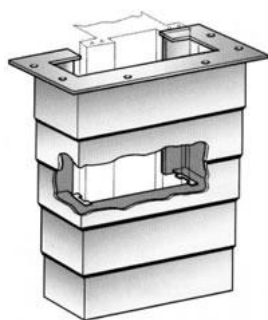
Type of machine tool:

Type :

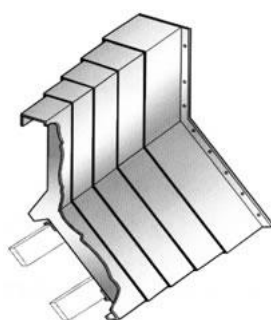
Type of shavings :

Number of covers [number]:

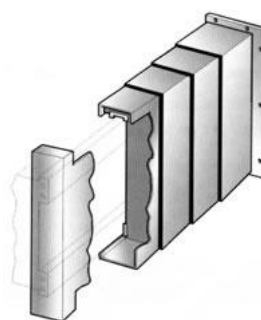
Working set of the cover:



VERTICAL

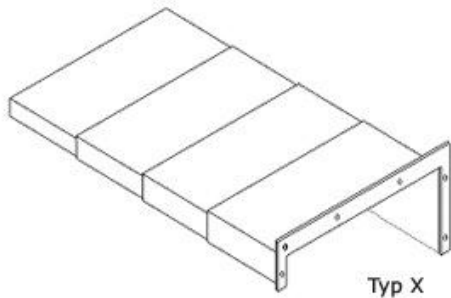
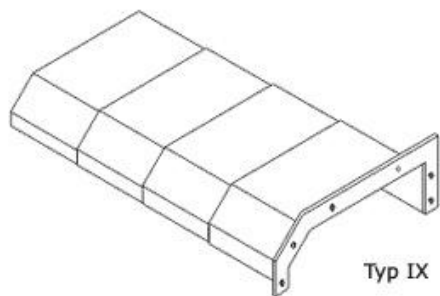
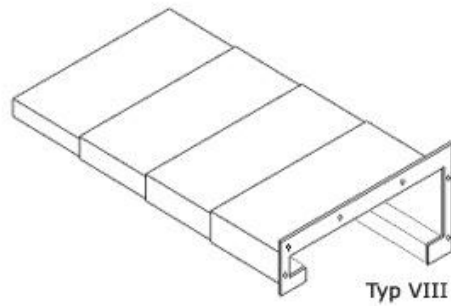
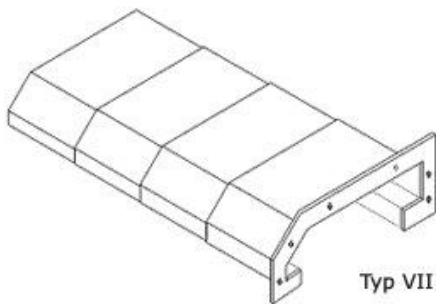
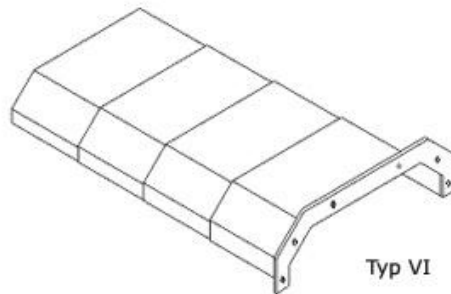
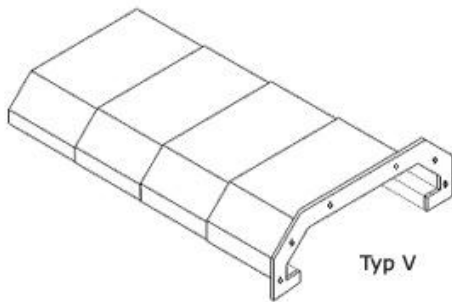
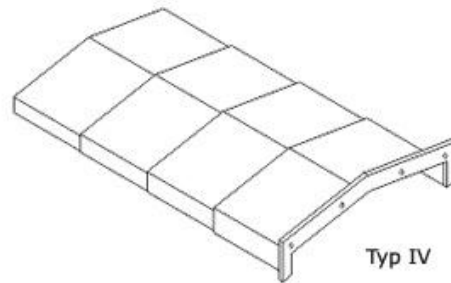
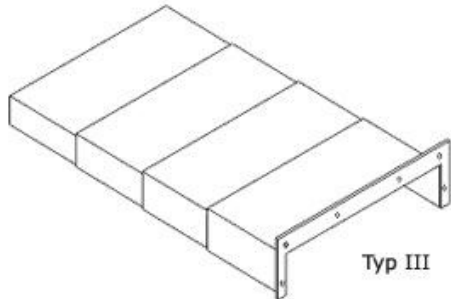
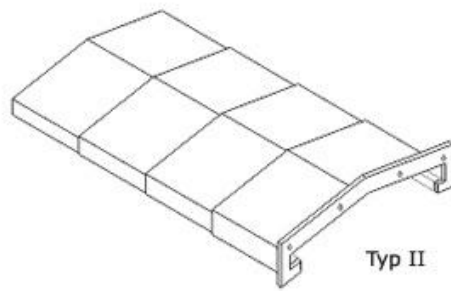
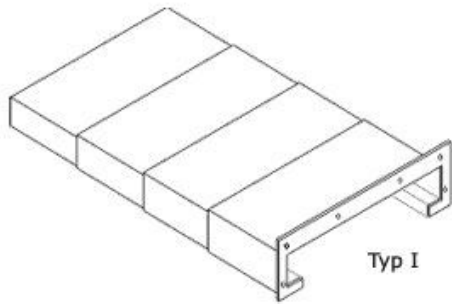


SLANTING



DIAGONAL

Type of the cover:

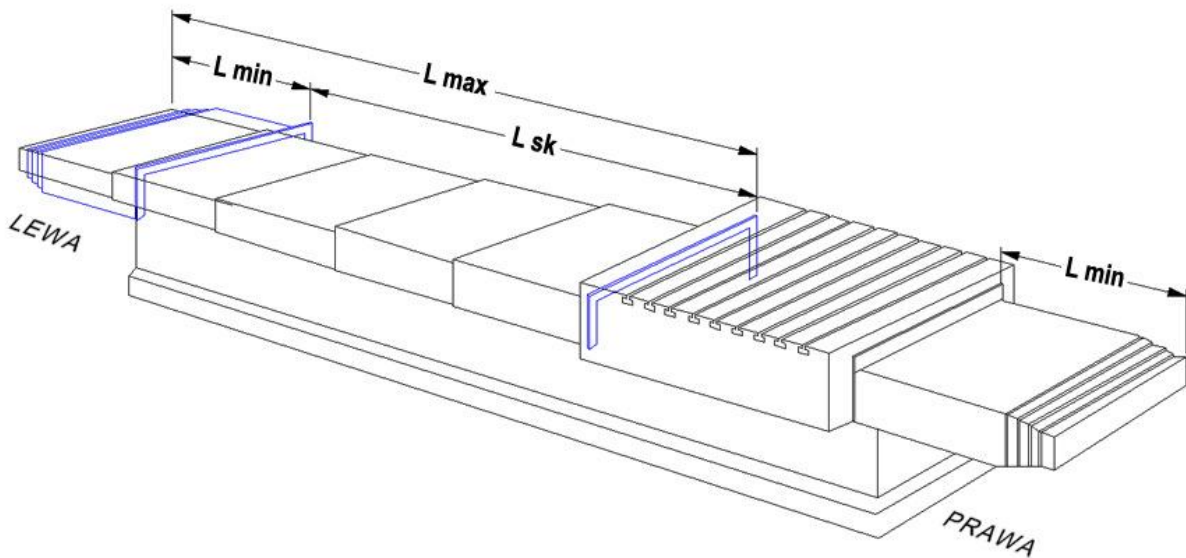


Type of the cover { I , II , , X }:

Type of material: steel stainless steel acid resistant steel

Coolant : yes no

Basic technical data in accordance with informative drafts:



Maximum length after decomposition L_{max} : mm

Minimum length after completion L_{min} mm

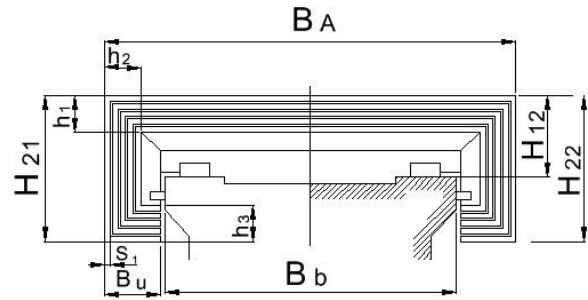
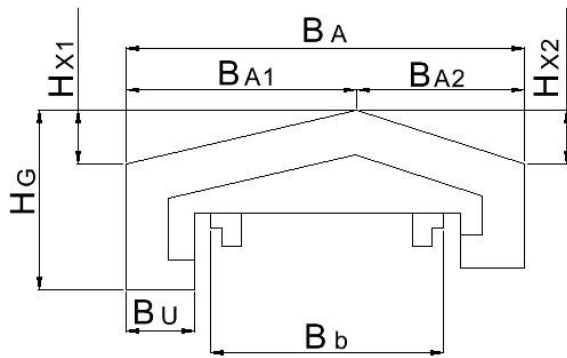
Displacement of the machine L_{sk} : mm

Number of segments: items

Speed of displacement: m/min

Acceleration: m/s

Provide basic dimensions:



B_A : mm

B_b : mm

H_G : mm

S_1 : mm

$h_{1,2,3}$: mm

B_u : mm

H_{21} : mm

H_{22} : mm

H_{X1} : mm

H_{X2} : mm

B_{A1} : mm

B_{A2} : mm